

WPL Series

LOUDSPEAKERS



WPL 1
WPL 1 A



WPL In
WPL In A



WPL 5
WPL 5 A



WPL BASS
WPL BASS A

WPL series loudspeakers have been designed for adjusting standards until the last detail. The result is upper acoustic response in an attractive, compact ABS injection molded cabinet. The series includes powered and passive models, getting a great number of configurations thanks to its wide range of power and frequency controls. So it is possible to setup a configuration from bass frequencies and depending on the necessary power, to use the suitable model for mid and high frequencies.

This adaptability, together with the great quality sound, make this series a reference, allowing to use them in quality ambient sound, live installations or any type of sound reinforcement, as much mobile as fixed applications.



Pile up possibility



Insertion (35 mm)
metallic



Interchangeable
Handle



XLN4 INPUT
(Passive Models)



Tone controls and input
selector (Active Models)



REAR PANEL
(Active models)



WPL Series
LOUDSPEAKERS

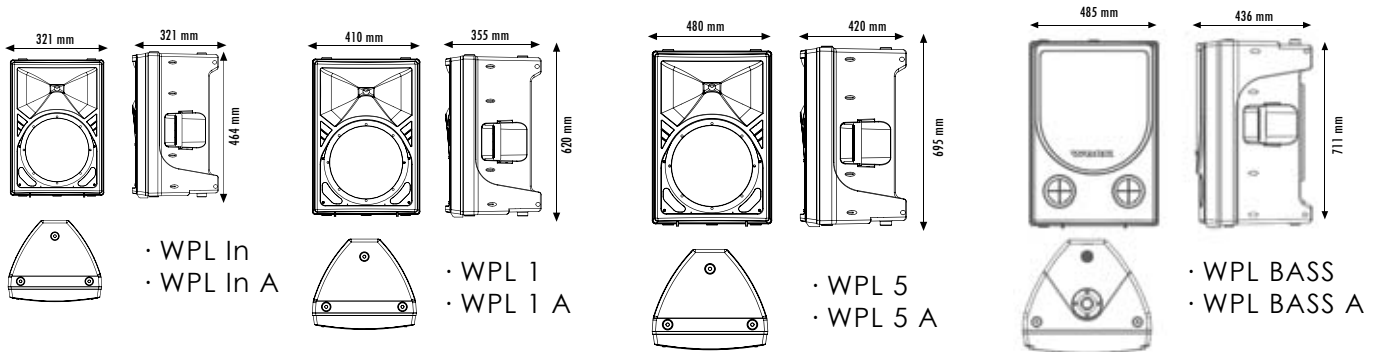


WPL 5 BAG
Designed for WPL5/5A
WPL BASS/BASS A

- Cover bags for WPL 1/1 A, WPL 5/5 A and WPL BASS/ BASS A.
- Able to protect your loudspeaker system against rain or dust.
- Openings in order to accede to handles, rear panel or insertion.



WPL 1 BAG
Designed for WPL1 /1A



RACK WPL-1

Flightcase for 2 WPL-1
(Loudspeakers not included)

RACK WPL-5

Flightcase for 2 WPL-5
(Loudspeakers not included)



WPL Series

LOUDSPEAKERS



WPL In
WPL In A



WPL 1
WPL 1 A



WPL In A
Amplifier

TECHNICAL DATA	WPL In	WPL In A
System Configuration:	· Built-in over 2 way full range Loudspeaker	· Powered 2 way full range Loudspeaker
Elements:	· 1 x 10" (Bass) + 1 x 1" driver.	· 1 x 10" (Bass) + 1 x 1" driver.
Power Handling:	· 250 W RMS 450W peak	· ---
Power Amplifier:	· ---	· 100 (Bass) + 50W (Treble) RMS
Frequency Response (-3 dB):	· 55 Hz – 18 kHz	· 55 Hz – 18 kHz
Dispersion (H x V):	· 90° x 60°	· 90° x 60°
Max SPL:	· 119 dB	· 117 dB
Nominal Impedance:	· 8 Ω	· 600 Ω
Sensitivity (dB/1M/1W):	· 95 dB	· 1,15W (+3,4 dBu)
Connectors:	· 2 x XLN4	· 1 x Combi (XLR/Jack) + XLR3 Bal.
Insertion:	· 35 mm.	· 35 mm.
Dimensions:	· 464 x 321 x 321 mm (HxWxD)	· 464 x 321 x 321 mm (HxWxD)
Weight:	· 10 Kg.	· 11 Kg.



WPL 1 A
Amplifier

TECHNICAL DATA	WPL 1	WPL 1 A
System Configuration:	· Built-in over 2 way full range Loudspeaker	· Powered 2 way full range Loudspeaker
Elements:	· 1 x 12" (Bass) + 1 x 1" driver.	· 1 x 12" (Bass) + 1 x 1" driver.
Power Handling:	· 350 W RMS 700W peak	· ---
Power Amplifier:	· ---	· 300 (Bass) + 100W (Treble) RMS
Frequency Response (-3 dB):	· 50 Hz – 20 kHz	· 55 Hz – 18 kHz
Dispersion (H x V):	· 90° x 60°	· 90° x 60°
Max SPL:	· 124 dB	· 124 dB
Nominal Impedance:	· 8 Ω	· 600 Ω
Sensitivity (dB/1M/1W):	· 96 dB	· 1,15W (+3,4 dBu)
Connectors:	· 2 x XLN4	· 1 x Combi (XLR/Jack) + XLR3 Bal.
Insertion:	· 35 mm.	· 35 mm.
Dimensions:	· 620 x 410 x 355 mm (HxWxD)	· 620 x 410 x 355 mm (HxWxD)
Weight:	· 18 Kg.	· 24 Kg.

WPL Series
LOUDSPEAKERS



WPL 5
WPL 5 A

WPL BASS
WPL BASS A

TECHNICAL DATA	WPL 5	WPL 5 A
System Configuration:	· Built-in over 2 way full range Loudspeaker	· Powered 2 way full range Loudspeaker
Elements:	· 1 x 15" (Bass) + 1 x 1" driver.	· 1 x 15" (Bass) + 1 x 1" driver.
Power Handling:	· 350 W RMS 900W peak	· ---
Power Amplifier:	· ---	· 300 (Bass) + 100W (Treble) RMS
Frequency Response (-3 dB):	· 40 Hz – 20 kHz	· 40 Hz – 20 kHz
Dispersion (H x V):	· 90° x 50°	· 90° x 50°
Max SPL:	· 126 dB	· 126 dB
Nominal Impedance:	· 8 Ω	· 600 Ω
Sensitivity (dB/1M/1W):	· 96 dB	· 1,15W (+3,4 dBu)
Connectors:	· 2 x XLN4	· 1 x Combi (XLR/Jack) + XLR3 Bal.
Insertion:	· 35 mm.	· 35 mm.
Dimensions:	· 695 x 480 x 420 mm (HxWxD)	· 695 x 480 x 420 mm (HxWxD)
Weight:	· 22 Kg.	· 33 Kg.



WPL 5 A
Amplifier

TECHNICAL DATA	WPL BASS	WPL BASS A
System Configuration:	· Subwoofer Loudspeaker System.	· Powered Subwoofer Loudspeaker System.
Elements:	· 1 x 15" (Bass)	· 1 x 15" (Bass)
Power Handling:	· 500 W RMS 1000W peak	· ---
Power Amplifier:	· ---	· 400W RMS
Frequency Response (-3 dB):	· 45 Hz – 2 kHz	· 45 Hz – 2 kHz
Nominal Impedance:	· 8 Ω	· 600 Ω
Sensitivity (dB/1M/1W):	· 97 dB	· 1,15W (+3,4 dBu)
Connectors:	· 2 x XLN4	· 2 x XLR3 balanced
Insertion:	· 35 mm.	· 35 mm.
Dimensions:	· 711 x 485 x 436 mm (HxWxD)	· 711 x 485 x 436 mm (HxWxD)
Weight:	· 24.5 Kg.	· 35 Kg.



WPL BASS A
Amplifier Phase inverter
and crossover frequency
selector.